

# PRODUCT DATA SHEET

## 22mm DIAMETER AMPERMETER



### DESCRIPTION

Ammeter indicator light is a new design electrical control device that displays current data. It offers a long service life with its quality material structure.

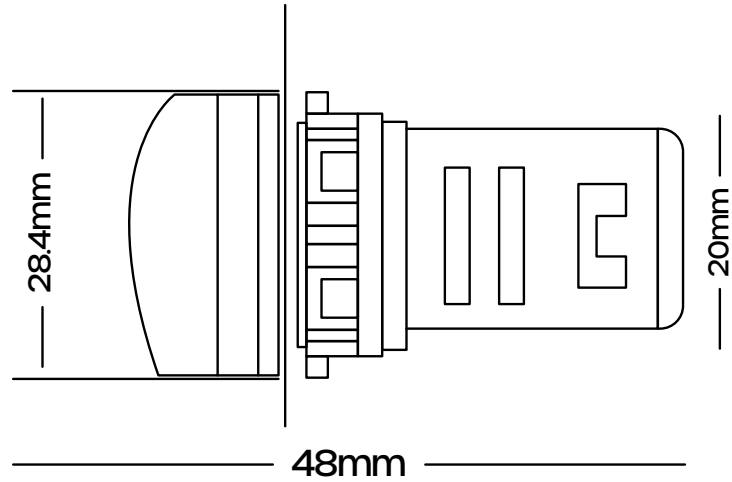
### FEATURES

- High brightness LED display.
- Cylindrical main body.
- 0 - 100A Led Ampermeter with current transformer.

# PRODUCT DATA SHEET

## 22mm DIAMETER AMPERMETER

### SECTIONS AND DIMENSIONS



PRODUCT CODE	DIAMETER (mm)	DESCRIPTION	COLOUR
22 AS-Y	22	0 - 100A Led Ammeter Current Transformer	Green